



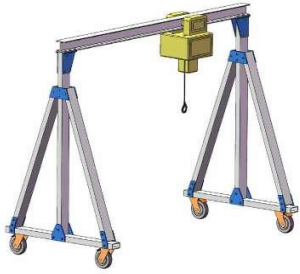
# KNCRANES Aluminum Gantry Cranes



## About us -KNCRANES

**KNCRANES: Elevating Efficiency in Every Lift**  
KNCRANES, a distinguished name in the realm of crane manufacturing, takes pride in revolutionizing the industry with our state-of-the-art portable gantry cranes. Established with a commitment to redefine the standards of lifting solutions, KNCRANES has become synonymous with precision engineering and unparalleled reliability.

As a leading crane manufacturer, KNCRANES has consistently pushed the boundaries of innovation to meet the dynamic needs of industries worldwide. Our portable gantry cranes and mobile gantry cranes are a testament to our dedication to providing robust, high-performance solutions for lifting operations.



KNLT-1 Fixed Type



KNLT-2 Height Adjustable



KNLT-3 Non-moving



KNLT-4 Height and Span Adjustable



PRG - Foldable Type



Thickening steel material



High strength screw bolt



Universal brake wheel



### Structural Materials

- ★ Made of high-quality aluminum alloy material, it has excellent strength and rigidity and can withstand large loads and maintain structural stability. This makes them suitable for handling heavy items or in applications where stable support is required.

### Appearance Design

- ★ Compared with traditional steel cranes, it is more lightweight, lighter in dead weight, modular design, bolted connection, more efficient assembly and disassembly process, and easy to build and move.

### Control System

- ★ Equipped with advanced control systems such as PLC (Programmable Logic Controller) or CNC (Computer Numerical Control) system. These systems enable precise lifting operations and provide greater safety and reliability.

### Stainless Steel Safety Pin

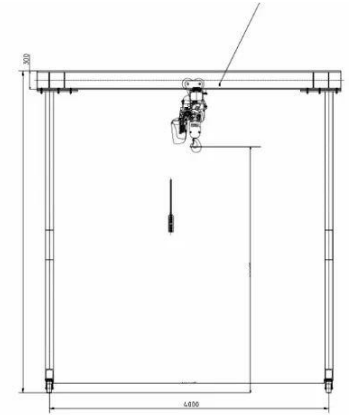
- ★ Made of high-strength stainless steel material, it has the characteristics of corrosion resistance, high temperature resistance, pressure resistance, etc., which can effectively prevent equipment accidents due to excessive pressure or temperature, and ensure the safe operation of the production process.

### Product Use

- ★ Aluminum alloy is a non-magnetic material and has excellent corrosion resistance. It can be used in harsh environments and scenarios where magnetic field interference needs to be avoided.



KNLT1 is a fixed aluminum alloy gantry crane with non-adjustable span and height. The inverted "A" leg design allows it to bear greater weight and is more stable during the lifting process. It can move within a certain range through electric or hand-push walking. It has a simple structure and is easy to use.



## Technical Data

Item No.	Rated load (ton)	Total height (mm)	Max.Lifting height (mm)	Outside spar (mm)	Inner span (mm)	H Height (mm)
KNLT-1	0.5	3000	2420	2000	1800	460
	0.5	3000	2420	3000	2880	460
	0.5	4000	3420	3000	2880	460
	0.5	4000	3420	4000	3880	460
	1	3000	2470	2000	1880	410
	1	3000	2470	3000	2880	410
	1	4000	3470	3000	2880	410
	1	4000	3470	4000	3880	410
	2	3000	2215	2000	1800	535
	2	3000	2215	3000	2800	535
	2	4000	3215	3000	2800	535
	2	4000	3215	4000	3800	535
	3	3000	2122	2000	1800	685
	3	3000	2122	3000	2800	685
	3	4000	3122	3000	2800	685
	3	4000	3122	4000	3800	685

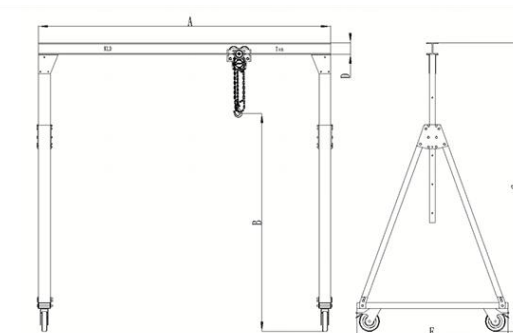


### For use with



Hand Winch    Electric Hoist    Hand Hoist

KNLT-2 gantry crane can adjust the lifting height by plugging and unplugging pins, thereby meeting the needs of operations at different heights, providing convenience and security for industrial production, and improving the flexibility and applicability of the gantry crane.



### Technical Data

tem No	Rated load (ton)	Total height (mm)	Max.Lifting height (mm)	Outside span (mm)	Inner span (mm)	H Height (mm)
KNLT-2	1	2000-3000	2470	3000	2880	410
	1	2000-3000	2470	4000	3880	410
	1	2600-4000	3470	3000	2880	410
	1	2600-4000	3470	4000	3880	410
	2	2000-3000	2215	3000	2800	535
	2	2000-3000	2215	4000	3800	535
	2	2600-4000	3315	3000	2800	535
	2	2600-4000	3315	4000	3800	535
	3	2000-3000	2122	3000	2800	685
	3	2000-3000	2122	4000	3800	685
	3	2600-4000	3122	3000	2800	685
	3	2600-4000	3122	4000	3800	685



### Brake Swivel Caster

Moderate resistance, strong load-bearing capacity, durable and silent.



### Detachable Design

The overall structure is screwed in design, lightweight and easy to install and disassemble.



### Pluggable Pin

Easy to operate and easy to adjust height.



Both width and height are adjustable to meet different operating needs.

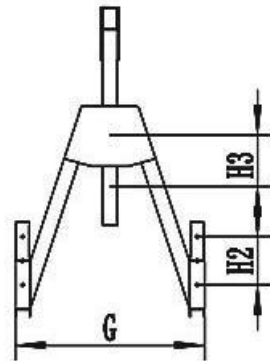
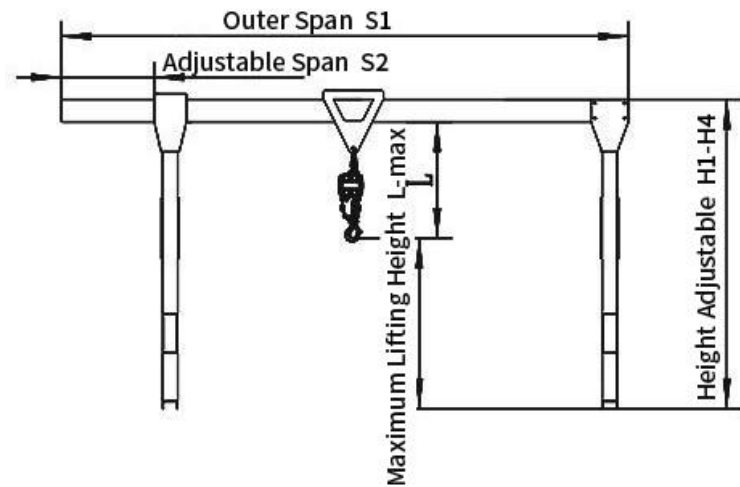
The legs are adjustable to cope with different heights on the ground.

The foot plate is made of aluminum alloy pattern plate to increase the friction coefficient.

KNLT-3 gantry crane has a secondary lifting function. Compared with the KNLT-2, it has four additional adjustable legs, which meets the needs of different heights on the ground and expands the scope of application.

## Technical Data

Item No	Rated load (ton)	Total height (mm)	Max.Lifting height (mm)	Outside span (mm)	Inner span (mm)	H Height (mm)	
KNLT-3	1	2000-3000	2470	3000	2880	410	
	1	2000-3000	2470	4000	3880	410	
	1	2600-4000	3470	3000	2880	410	
	1	2600-4000	3470	4000	3880	410	
	2	2000-3000	2215	2215	3000	2800	535
	2	2000-3000	2215	2215	4000	3800	535
	2	2600-4000	3315	3315	3000	2800	535
	2	2600-4000	3315	3315	4000	3800	535
	3	2000-3000	2122	2122	3000	2800	685
	3	2000-3000	2122	2122	4000	3800	685
	3	2600-4000	3122	3122	3000	2800	685
	3	2600-4000	3122	3122	4000	3800	685





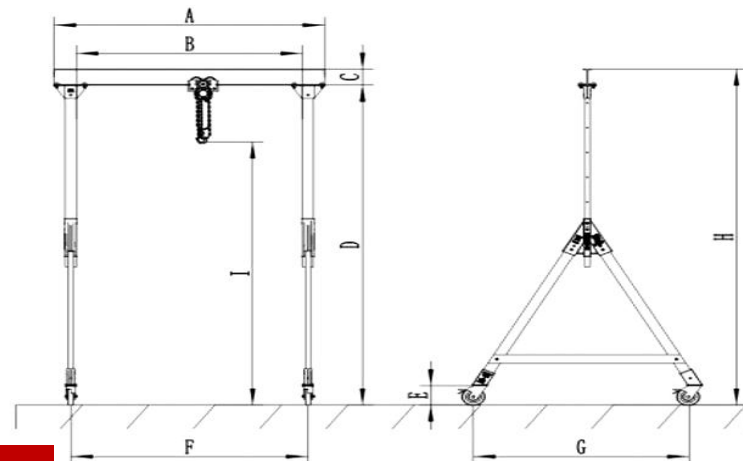
KNLT-4 aluminum gantry crane is a mobile lifting equipment used for light lifting and handling work. This type of crane is characterized by an adjustable span height, so it can be adjusted according to specific needs to achieve different heights, span lifting operations.

Height & Width adjustable Light weight, five times safer

Moistureproof and anticorrosion, explosion proof

The height can be adjusted

The span and height can be customized for size. Each steel tube can be disassembled and installed easily

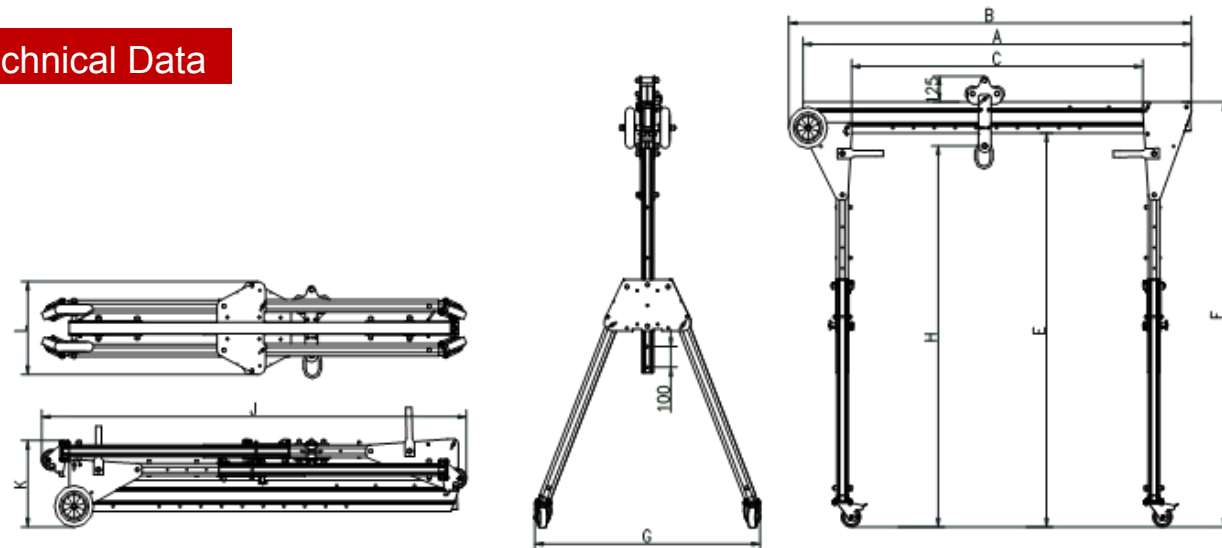


### Technical Data

Load (T)	Spec (MM)										Packaging dimensions	Gross/Net weight
	A	B	C	D	E	F	G	H	I			
0.5	2000	1600	152	1848-2848	170	1700	1432	2000-3000	1588-2588	2000*500*500	62.4/52.4	
0.5	3000	2600	152	1848-2848	170	2700	1432	2000-3000	1588-2588	3000*500*500	65.2/55.2	
0.5	3000	2600	152	2348-3848	170	2700	1940	2500-4000	2088-3588	3000*500*500	69/59	
0.5	4000	3600	152	1848-2848	170	3700	1432	2000-3000	1588-2588	4000*500*500	67.9/57.9	
0.5	4000	3600	152	2348-3848	170	3700	1940	2500-4000	2088-3588	4000*500*500	71.8/61.8	
1	2000	1600	152	1848-2848	170	1700	1432	2000-3000	1588-2588	2000*500*500	70.1/60.1	
1	3000	2600	152	1848-2848	170	2700	1432	2000-3000	1588-2588	3000*500*500	76.7/66.7	
1	3000	2600	152	2348-3848	170	2700	1940	2500-4000	2088-3588	3000*500*500	89.4/79.4	
1	4000	3600	152	1848-2848	170	3700	1432	2000-3000	1588-2588	4000*500*500	83.4/73.4	
1	4000	3600	152	2348-3848	170	3700	1940	2500-4000	2088-3588	4000*500*500	96.1/86.1	
2	2000	1600	193	1807-2807	180	1700	1360	2000-3000	1457-2457	2000*500*500	90.9/80.9	
2	3000	2600	193	1807-2807	180	2700	1360	2000-3000	1457-2457	3000*500*500	104.7/94.7	
2	3000	2600	193	2307-3807	180	2700	1859	2500-4000	1957-3457	3000*500*500	110.9/100.9	
2	4000	3600	193	1807-2807	180	3700	1360	2000-3000	1457-2457	4000*500*500	119.5/109.5	
2	4000	3600	193	2307-3807	180	3700	1859	2500-4000	1957-3457	4000*500*500	124.7/114.7	



## Technical Data



Model	Load kg	Operator		Dimension parameter (mm)										Self weight (kG)
		Load kg	Number required	A	B	C	E	F	G	H	J	K	L	
PRGS20	500	250	3	2000	2076	1100-1500	1914-2114	2064-2264	1158	1850-2050	2190	415	440	33
PRGS23	400	200	2	2300	2376	1200-1800					2376			34
PRGS40	250	125	1	4000	4076	2700-3500					4076			40
PRGM20	400	200	2	2000	2076	1100-1500	1818-2218	1968-2368	1215	1755-2155	2076	415	440	34
PRGM23	400	200	2	2300	2376	1200-1800					2376			34
PRGM40	250	125	1	4000	4076	2700-3500					4076			40
PRGT20	250	125	1	2000	2076	1100-1500	2092-2992	2242-3142	1586	2028-2928	2631	415	440	38
PRGT23	250	125	1	2300	2376	1200-1800					2631			39
PRGT40	250	125	1	4000	4076	2700-3500					4076			44
PRG1S20	1000	500	3	2000	2077	1102-1502	1661-2161	1822-2322	1270	1549-2049	2077	415	440	45
PRG1S30	1000	500	3	3000	3077	1902-2502					3077			53
PRG1S40	500	500	3	4000	4077	1902-3502					4077			58
PRG1M20	1000	500	3	2000	2077	1102-1502	1900-2600	2061-2761	1484	1859-2559	2200	464	536	49
PRG1M30	1000	500	3	3000	3077	1902-2502					3077			54
PRG1M40	500	500	3	4000	4077	1902-3502					4077			59
PRG1T20	1000	500	3	2000	2077	1102-1502	2140-3040	2301-3201	1698	2099-2999	2830	415	440	53
PRG1T30	1000	500	3	3000	3077	1902-2502					3077			58
PRG1T40	500	500	3	4000	4077	1902-3502					4077			62

This series of aluminum gantry cranes can be folded or assembled for easy transportation. Equipped with a manual trolley for horizontal movement, the height and span can be adjusted, and can be used indoors and outdoors. It has been widely used in on-site construction and maintenance operations.

## Application Scenarios



- In warehouse, in workshop to lift heavy things.
- In garage, to lift motor and other spares.
- In lab.
- To lift tombstone.
- To lift stones.
- To lift ships and airplanes.
- To lift other heavy loading.
- Using in the ship.

## Enquiry

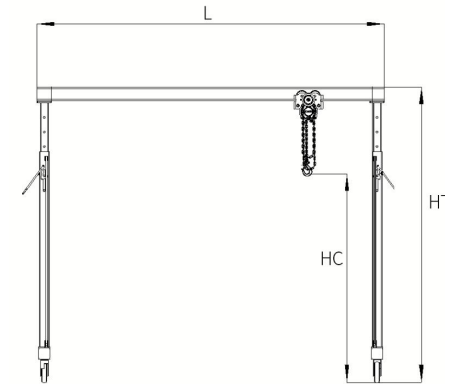
Company	_____	Postcode/Town	_____
Contact name	_____	Phone	_____
Address	_____	Fax	_____
e-mail	_____		

### Data for desired ABUS mobile gantry LPK

Safe Working Loads:	_____	KG
Total height (HT):	_____	MM
Total width (L):	_____	MM
Highest hook position (HC):	_____	MM

### Services

- Delivery by KNCRANES
- Installation by KNCRANES
- Testing and commissioning by KNCRANES



The KNCRANES mobile gantry crane provides a versatile solution for locations where a permanent crane isn't required but crane usage is necessary at various points. As a trusted manufacturer, Kinocranes Cranes & Components serves over 56 countries, offering customized gantry crane solutions and components. Benefit from our global experience and expertise—contact Kinocranes for your reliable gantry crane needs.

Kino Cranes Co., Ltd. Phone: 0086-373-3809941 - Email: [info@kinocranes.com](mailto:info@kinocranes.com)  
 -Web: [www.kinocranes.com](http://www.kinocranes.com)